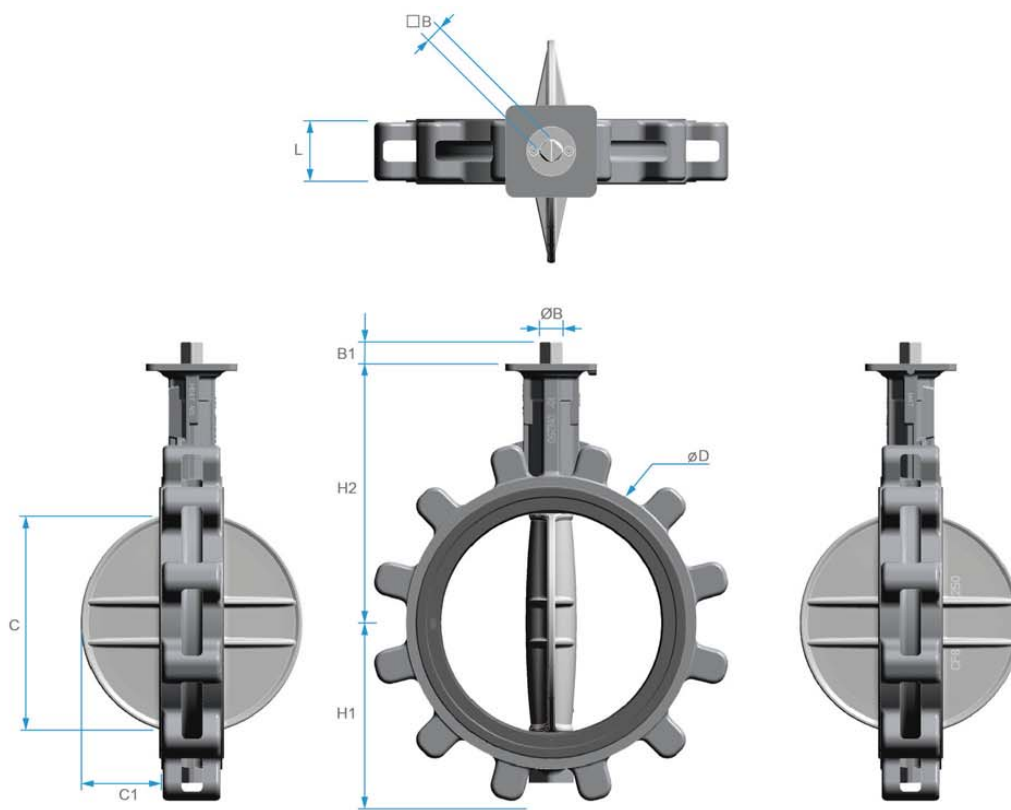


VF733 PTFE Dimensions

Lug Type Dimensions – VF-733 Series DN 40 ~ DN 300



Size		Face to Face				Mounting Flange (ISO 5211)		Flat Shaft End			Disc Clearance		Weight
mm	inch	L	H1	H2	D	Type	PCD	B	B1	B	C	C1	lbs
40	1 ½	1.3	2.36	4.72	3.19	F07	2.76	0.43	0.75	0.55	1.34	0.28	4.9
50	2	1.69	2.56	5.63	3.78	F07	2.76	0.43	0.75	0.55	1.54	0.31	7.5
65	2 ½	1.81	2.8	6.1	4.33	F07	2.76	0.43	0.75	0.55	2.17	0.51	8.8
80	3	1.81	3.03	6.38	4.88	F07	2.76	0.43	0.75	0.55	2.72	0.75	9.9
100	4	2.05	3.5	7.13	5.83	F07	2.76	0.43	0.75	0.55	3.58	1.06	16.8
125	5	2.2	4.41	7.76	7.09	F07	2.76	0.55	0.75	0.75	4.53	1.42	20.9
150	6	2.2	4.84	8.27	8.11	F07	2.76	0.55	0.75	0.75	5.51	1.85	22.9
200	8	2.36	5.91	9.45	10.2	F10	4.02	0.67	0.94	0.87	7.32	2.68	38.6
250	10	2.68	7.05	11.26	12.6	F10	4.02	0.75	0.94	0.98	9.41	3.54	58.4
300	12	3.07	8.5	12.17	14.57	F10	4.02	0.87	0.94	1.18	11.34	4.37	95.9
350	14	3.07	11.87	12.95	16.22	F12	4.92	1.06	1.14	1.38	12.8	5.07	127.9
400	16	4.02	13.13	14.21	18.7	F12	4.92	1.26	1.14	1.65	14.76	5.63	178.6
450	18	4.49	14.11	15.47	20.87	F14	5.51	1.26	1.5	1.77	16.65	6.38	242.5
500	20	5	15.45	16.81	23.03	F14	5.51	1.42	1.5	1.97	18.62	7.17	341.7
600	24	6.06	17.89	19.37	27.05	F16	6.5	1.81	1.89	2.36	22.05	8.43	571

Technical details subject to change without notice.



Basecamp Process Components, LLC
 7685-A Corporate Blvd., Plain City, Ohio 43064, USA
 +1 614-873-8995 • info@bpcvalves.com • bpcvalves.com