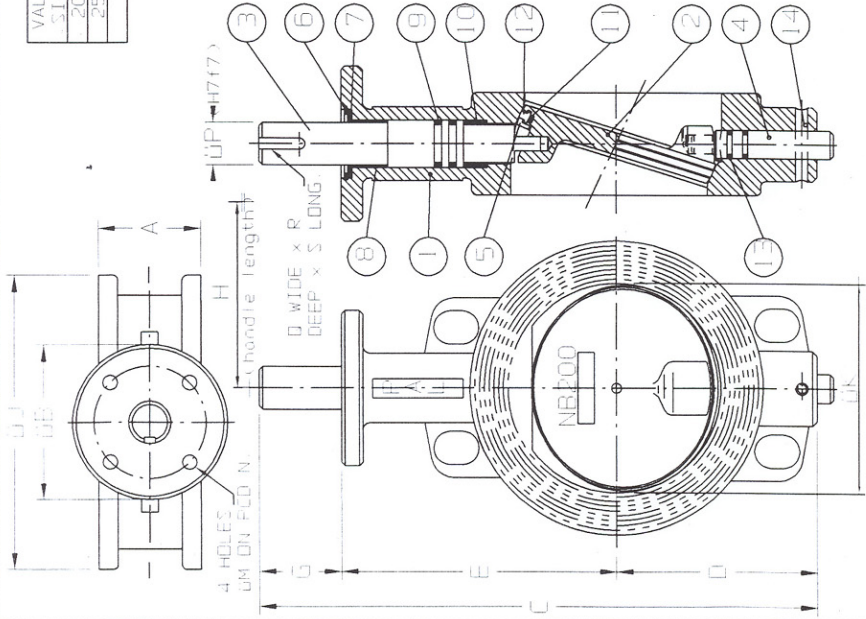


DIMENSIONS IN mm																	
VALVE SIZE	A	UB	C	D	E	G	H	J	K	UM	UN	UP	Q	R	S		
200	60	125	495	175	225	95	425	270	212	M10	102	25	8	4	155		
250	68	125	630	201	5	227	5	95	425	325	253	M10	102	30	8	4	179



ITEM No	DESCRIPTION	MATL	QTY
1	BODY	Stainless Steel ASTM A743	1
2	DISC	Stainless Steel ASTM A743	1
3	DRIVE SHAFT	ALSI 316 Stainless Steel	1
4	STUB SHAFT	AST 316 Stainless Steel	1
5	LOCK RING	ALSI 316 Stainless Steel	1
6	CIRCLIP		1
7	FLAT WASHER		1
8	TOP BEARING		1
9	'O'-RING SEAL (DRIVE SHAFT)		1
10	BOTTOM BEARING		2
11	'O'-RING SEAL (DISC)		1
12	'T' DISC SEAL		1
13	'O'-RING SEAL (STUB SHAFT)		2
14	SELLOCK PIN		1
15	LEVER BASE PLATE		1
16	LEVER ARRANGEMENT		1

MATERIALS SPECIFICATION: IN ACCORDANCE WITH ASTM
 SUIT FLANGES TO: BS 4504, ASME B16.5, BS 10.
 FACE TO FACE DIM & TOL TO: API 609 OR BS 5155.
 HYDROSTATIC PRESSURE TESTING TO: API 598.
 FACES SPIRAL SERRATED TO ASME/ANSI B16.5
 MOUNTING FLANGE DETAILS TO: ISO 5211
 VALVE FLANGE & BODY WALL THICKNESS EXCEED ASME B16.34 REQUIREMENTS.
 CAD REF: GA2

TITLE: G.A. FOR WAFER BUTTERFLY VALVE (DN 200, 250)

SCALE	UNITS
DRAWN	CHECKED
APPROVED	
REV	
A4	NO



DATE: _____ REV: _____ DESCRIPTION OF THE REVISIONS: _____

DATE: 23/06/2016